

**SINGER**  
**14W2/14W3**

# LIST OF PARTS



## MACHINES Nos. 14w2 and 14w3

THE SINGER MANUFACTURING COMPANY

### INDEX

---

	PAGE
ACCESSORIES .....	20
BORRIN WINDER .....	20
FEED DOGS .....	23
KNEE LIFTER .....	24
MACHINE No. 14w2 .....	7
"    "    14w3 .....	19
NUMERICAL LIST OF PARTS .....	25
THROAT PLATES .....	23

From the library of: Diamond Needle Corp

## Instructions for Ordering

In ordering from this list, use **ONLY** the **PART** number in the **FIRST** column.

The number stamped on a Sewing Machine Part is the number of the Single Part only, except when the part includes Set Screws, Clamping Screws, Studs and Rollers Spun on, Small Wires riveted, or Parts soldered together, etc., which it is necessary to furnish in combination.

Every combination of parts sent out has its specific number which, although not stamped on Parts (except in above cases) must be used when ordering the combination.

Each number always indicates the **SAME PART** in whatever list it appears, or for whatever Machine.

The letters after some of the numbers indicate the style of finish only, as follows:

- A. Hardened, Polished and Plated.
- B. Polished and Plated.
- C. Hardened only.
- D. Polished only.
- E. Soft, not polished.
- F. Hardened and Polished.
- H. Blued.

These letters **MUST BE USED** when they appear in the list and **AFTER** the number, as in the list.

In this series

200001 to 201500 are Screw Numbers;

201501 to 201800 are Nut Numbers;

201801 to 202000 are Roller Numbers;

202001 and upward are numbers of Machine Parts.

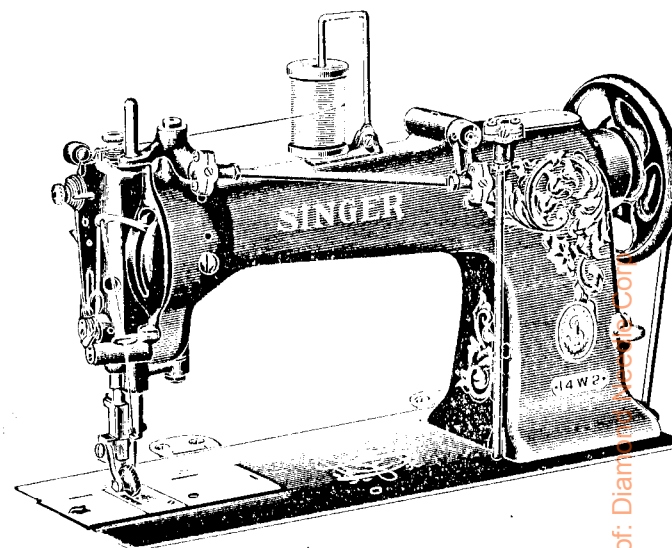
The figures in the second column refer only to the plate in which the illustration of the part is shown and are **NOT TO BE USED** in ordering.

Two or more numbers over a cut indicate that the difference between such parts is not visible in an illustration.

Parts marked with an asterisk (\*) are furnished only when repairs are made at the factory.

## LIST OF PARTS COMPLETE

FOR



## MACHINE No. 14w2

DROP FEED. TRIPLE STITCH

For Glove Work.

No.	Plate	Name
*215758	--	Arm with 202036 and 208477 .....
201163	11452	" Cap .....
200278H	12311	" " Screw .....
202248H	12307	" " " Washer .....
204235	10435	" Position Pin (2) .....
200963E	12311	" Screw (3) .....
202005	10673	" " Washer (3) .....
204803	11450	" Shaft .....
204801	10498	" " Bushing (back) with 202260 .....
202260	---	Arm Shaft Bushing (back) Oil Packing (wick) .....
200338c	10502	Arm Shaft Bushing (back) Set Screw .....

From the library of: Diana B. Brown

## Parts for Machine No. 14w2

No.	Plate	Name
204802	10498	Arm Shaft Bushing (front) with 202036 and 202260 .....
202260	---	Arm Shaft Bushing (front) Oil Packing (wick) .....
200502n	11452	Arm Shaft Bushing (front) Oil Packing Thumb Screw .....
202036	11452	Arm Shaft Bushing (front) Position Pin .....
200352c	10499	Arm Shaft Bushing (front) Set Screw .....
204804	11450	Arm Shaft Connection with four 200054e (2) .....
200054e	12307	Arm Shaft Connection Screw .....
204805	11450	Balance Wheel, 5½ in. diam. (belt groove 2¾ in. diam.), with 200382c and 200335c .....
200062n	12311	Balance Wheel Adjusting Screw ..
200328c	12311	" " Position Screw .....
200335c	12311	" " Set Screw .....
*204806	-----	Bed with 202062, 204393, 204799 and two 200516e .....
202258	12153	Bed Hinge Connection (2) .....
200570e	12311	" " " Screw (4) .....
206105	11451	" Slide (back) .....
204177	11451	" " (front) .....
204178	11454	Bobbin .....
208382	-----	" Case (solid center bearing) with 204181 .....
204181	-----	Bobbin Case Position Finger .....
204531	11454	" " Tension Spring .....
200598c	11454	" " " " " Regulat- ing Screw .....
200592c	11454	Bobbin Case Tension Spring Screw ..
208383	11454	Bobbin Case complete, Nos. 200592c, 200598c, 204531 and 208382 .....
204808	11450	Face Plate with 200366n, 200368n, 200685e, 202087, 202090, 204185, 204281 and two 200397n .....
200065c	11456	Face Plate Screw (2) .....
204185	10435	" " Thread Guide .....
200397n	12349	" " " " " Set Screw .....
204809	11450	Face Plate complete, Nos. 200309c, 200577n, 202088, 204059, 204272, 204280, 204808 and 208440 .....
204187	10435	Feed Bar with 204189 .....
204423	---	" " 204187 with 200214e, 201525e and 204200 .....
200214e	10435	Feed Bar Hinge Screw .....
201525e	10435	" " " " " Nut .....
204188	10435	" " Spring .....

## Parts for Machine No. 14w2

No.	Plate	Name
204189	10435	Feed Bar Spring Hook .....
207614	11453	" Dog .....
200106c	12311	" " Screw (2) .....
208455	10501	" Driving Cam Gear, 54 teeth, with 200383c and 200441c .....
200411c	11456	Feed Driving Cam Gear Position Screw .....
201816	12307	Feed Driving Cam Gear Roller ..
201824	-----	" " " " " " " 201816 with 200763c .....
201841	10501	Feed Driving Cam Gear Roller 201824 with 201517e .....
200763c	11452	Feed Driving Cam Gear Roller Stud .....
204812	10501	Feed Driving Cam Gear Roller Stud Crank with 200363c and 200437c .....
206202	11452	Feed Driving Cam Gear Roller Stud Crank 204812 with 201841 ..
200437c	12311	Feed Driving Cam Gear Roller Stud Crank Position Screw .....
200363c	10501	Feed Driving Cam Gear Roller Stud Crank Set Screw .....
*204928	-----	Feed Driving Cam Gear Roller Stud Crank Shaft .....
200002e	11452	Feed Driving Cam Gear Roller Stud Crank Shaft Connection Hinge Screw .....
201522e	10673	Feed Driving Cam Gear Roller Stud Crank Shaft Connection Hinge Screw Nut .....
204815	10501	Feed Driving Cam Gear Roller Stud Crank Shaft Lever with 204293 and 204928 .....
204193	11451	Feed Driving Cam Gear Roller Stud Crank Shaft Lever Connection with 200668c and 201525e ..
204194	12306	Feed Driving Cam Gear Roller Stud Crank Shaft Lever Connection Clamp with 200031e .....
200031e	12311	Feed Driving Cam Gear Roller Stud Crank Shaft Lever Connection Clamp Pinch Screw .....
200668c	11452	Feed Driving Cam Gear Roller Stud Crank Shaft Lever Connection Clamp Screw Stud .....
201525e	10435	Feed Driving Cam Gear Roller Stud Crank Shaft Lever Connection Clamp Screw Stud Nut ..

No.	Plate	Name
204293	11452	Feed Driving Cam Gear Roller Stud Crank Shaft Lever Position Pin .....
204196	12307	Feed Driving Cam Gear Roller Stud Crank Shaft Sleeve (split)
200362c	12311	Feed Driving Cam Gear Roller Stud Crank Shaft Sleeve Set Screw .....
200881	10501	Feed Driving Cam Gear Roller Stud Crank Shaft Sleeve Set Screw 200362c with 201616e ....
201616e	11456	Feed Driving Cam Gear Roller Stud Crank Shaft Sleeve Set Screw Nut .....
201517e	11452	Feed Driving Cam Gear Roller Stud Nut .....
204817	---	Feed Driving Cam Gear Roller Stud Crank Shaft Lever complete, Nos. 204194 and 204815 ...
200383c	12311	Feed Driving Cam Gear Set Screw
204818	11450	" " " " Shaft .....
204819	10498	" " " " " Bearing with two 202126 .....
202126	10499	Feed Driving Cam Gear Shaft Bearing Position Pin .....
200036e	10502	Feed Driving Cam Gear Shaft Bearing Screw (2) .....
225532	10502	Feed Driving Cam Gear Shaft Bearing Screw Washer (2) .....
204246	11452	Feed Driving Cam Gear Shaft Collar with two 200383c .....
200383c	12311	Feed Driving Cam Gear Shaft Collar Set Screw .....
206609	---	Feed Driving Pinion, 18 teeth ....
204820	10501	" " " " 206609 with 200383c and 200438c .....
200438c	10501	Feed Driving Pinion Position Screw
200383c	12311	" " " " Set Screw ....
204821	11450	" " Rock Shaft .....
213931	---	" " " " 204821 with 200002e, 201522e and 204193 ....
202305c	12307	Feed Driving Rock Shaft Center (2) .....
200043c	12311	Feed Driving Rock Shaft Center Set Screw .....
204200	10435	Feed Driving Rock Shaft Crank with 204189 (on left side) and two 200383c .....
200383c	12311	Feed Driving Rock Shaft Crank Set Screw .....

No.	Plate	Name
204822	10502	Feed Lifting Cam with 200383c, 200441c and 204020 .....
200441c	11456	Feed Lifting Cam Position Screw
201822	11452	" " " " Roller .....
201843	10502	" " " " 201822 with 200249e and 201525e .....
200249e	11452	Feed Lifting Cam Roller Stud ....
204824	11452	" " " " " Crank with 200027e .....
204020	---	Feed Lifting Cam Roller Stud Crank Cushion (leather) .....
200027e	10673	Feed Lifting Cam Roller Stud Crank Pinch Screw .....
204825	10502	Feed Lifting Cam Roller Stud Crank Spring .....
201525e	10435	Feed Lifting Cam Roller Stud Nut .....
204826	10502	Feed Lifting Cam Roller Stud Crank complete, Nos. 201843 and 204824 .....
200383c	12311	Feed Lifting Cam Set Screw .....
204203	11451	" " Rock Shaft with 204264
204502	---	" " " " 204203 with 204205 .....
202305c	12307	Feed Lifting Rock Shaft Center (2)
200043c	12311	" " " " " Set Screw (2) .....
204204	---	Feed Lifting Rock Shaft Slide Block .....
204205	10437	Feed Lifting Rock Shaft Slide Block 204204 with 200248e and 201531e .....
200248e	10437	Feed Lifting Rock Shaft Slide Block Hinge Screw .....
201531e	10437	Feed Lifting Rock Shaft Slide Block Hinge Screw Nut .....
204264	10673	Feed Lifting Rock Shaft Slide Block Position Pin .....
204206	12306	Feed Regulating Handle .....
204288	---	" " " " 204206 with 200098e, 202622, 204208, 204209, 204213, 204289 and 204925 .....
204208	12307	Feed Regulating Handle Adjustable Stop .....
200098e	12307	Feed Regulating Handle Adjustable Stop Screw .....
204925	12306	Feed Regulating Handle Adjustable Stop Screw Washer .....
204209	12307	Feed Regulating Handle Position Pin .....

No.	Plate	Name
204289	11451	Feed Regulating Handle Shaft ....
204211	12306	" " " " Crank with 200098f .....
204212	12307	Feed Regulating Handle Shaft Crank Link .....
200271e	12311	Feed Regulating Handle Shaft Crank Link Hinge Screw (lower)
200291e	12307	Feed Regulating Handle Shaft Crank Link Hinge Screw (upper)
200098f	12307	Feed Regulating Handle Shaft Crank Set Screw .....
204213	12307	Feed Regulating Handle Shaft Sleeve (split) .....
200362c	12311	Feed Regulating Handle Shaft Sleeve Set Screw .....
202622	12306	Feed Regulating Handle Shaft Sleeve Washer .....
202036	11452	Feed Regulating Handle Stop Pin
204298	----	Feed Regulating Handle complete, Nos. 200291e, 204211, 204212 and 204288 .....
204216	11454	Hook (sewing) with 204217 .....
204217	----	" Bobbin Case Stud .....
204218	10446	" Bracket with 200379c and three 204234 .....
204219	10448	Hook Bracket 204218 with 204226c
204221	----	" " 204219 with 204222, 204224, 204225, 204232, two each 204223 and 204233 .....
200379c	10446	Hook Bracket Adjusting Screw (lower) .....
200334c	11454	Hook Bracket Adjusting Screw (upper) .....
204222	10446	Hook Bracket Bobbin Case Stop (hinged) .....
204223	10448	Hook Bracket Bobbin Case Stop Hinge Pin .....
204224	10446	Hook Bracket Bobbin Case Stop Latch .....
204223	10448	Hook Bracket Bobbin Case Stop Latch Hinge Pin .....
204225	10446	Hook Bracket Bobbin Case Stop Latch Spring .....
200562c	10446	Hook Bracket Screw (lower) .....
200564c	10446	" " " (upper) .....
204237	10450	Hook Bracket complete, Nos. 204216 and 204221 .....
208478	11454	Hook Driver with 204242 and 204243
208246	----	" " Crank .....

No.	Plate	Name
204240	11452	Hook Driver Crank 208246 with 200378c, 200662c, 201530e and two 200348c .....
204241	10437	Hook Driver Crank Link .....
200669c	10448	" " " " Stud .....
201530e	10448	" " " " Nut
200348c	10448	" " " Set Screw (long)
200378c	12311	" " " " (short)
200662c	10448	" " " Stud .....
201530e	10448	" " " Nut .....
204243	11454	" " Pin .....
204242	11454	" " Washer .....
204295	11450	" Driving Shaft .....
204799	11451	" " Bearing .....
202126	10499	" " " " Position Pin .....
200516e	12311	Hook Driving Shaft Bearing Screw
204393	10670	" " " Bushing .....
204246	11452	" " " Collar with two 200383c .....
200383c	12311	Hook Driving Shaft Collar Set Screw .....
204201	10437	Hook Driving Shaft Crank with 200335c, 200431c, 200669c and 201530e .....
200431c	10437	Hook Driving Shaft Crank Position Screw .....
200335c	12311	Hook Driving Shaft Crank Set Screw .....
204226c	11454	Hook Race, .156 in thick, 1.906 in. diam. ....
204232	10448	Hook Race Cap (steel) .....
204230	10446	" " " Spring .....
204233	10448	" " " 204230 with 200802e .....
200802e	10448	Hook Race Cap Spring Screw ....
204234	10446	" " Position Pin .....
202445	10936	Knee Lifter Connection Lever with 202446 .....
227313	----	Knee Lifter Connection Lever 202445 with 200224n, 200262n, 227303 and 227309 .....
200224n	12306	Knee Lifter Connection Lever Hinge Screw .....
227309	11450	Knee Lifter Connection Lever Lift- ing Rod with 202302 .....
202302	11456	Knee Lifter Connection Lever Lift- ing Rod Cotter Pin .....
202446	12306	Knee Lifter Connection Lever Pin

No.	Plate	Name
227303	11450	Knee Lifter Lifting Lever .....
200262II	12306	" " " " Hinge Screw .....
204827	10498	Needle Bar (hollow) with 200125E, 200175D and 204250 .....
204828	10499	Needle Bar Connecting Link .....
200658c	12307	" " " " Hinge Screw Stud .....
201519c	12307	Needle Bar Connecting Link Hinge Screw Stud Nut .....
204249	11455	Needle Bar Connecting Stud with 200072c and 202277 .....
202277	- -	Needle Bar Connecting Stud Oil Packing (wick) .....
200072c	11455	Needle Bar Connecting Stud Pinch Screw .....
204829	10498	Needle Bar Frame .....
208442	11455	" " " Driving Crank with 200382c and 200917c .....
208446	11451	Needle Bar Frame Driving Crank Connection (9½ in. long) .....
208474	- - -	Needle Bar Frame Driving Crank Connection 208446 with two each 201525E and 208473 .....
208472	11455	Needle Bar Frame Driving Crank Connection Ball Bearing with two 200069c .....
200069c	11455	Needle Bar Frame Driving Crank Connection Ball Bearing Cap Screw .....
201525E	10435	Needle Bar Frame Driving Crank Connection Ball Bearing Check Nut .....
200992c	11455	Needle Bar Frame Driving Crank Connection Ball Screw .....
200879	---	Needle Bar Frame Driving Crank Connection Ball Screw 200992c with 201524E .....
201524E	10673	Needle Bar Frame Driving Crank Connection Ball Screw Nut ....
208473	---	Needle Bar Frame Driving Crank Connection Ball Bearing com- plete, Nos. 200879 and 208472 ..
208450	11455	Needle Bar Frame Driving Crank Connection Bell Crank with 200387c and 200447c .....
200447c	11455	Needle Bar Frame Driving Crank Connection Bell Crank Position Screw .....

No.	Plate	Name
200387c	11455	Needle Bar Frame Driving Crank Connection Bell Crank Set Screw
202899	10499	Needle Bar Frame Driving Crank Connection Bell Crank Stud ....
208477	11455	Needle Bar Frame Driving Crank Connection Stud Bushing .....
200917	11456	Needle Bar Frame Driving Crank Position Screw .....
200382c	10502	Needle Bar Frame Driving Crank Set Screw .....
208451	11451	Needle Bar Frame Pitman (7½ in. long) .....
208475	- - -	Needle Bar Frame Pitman 208451 with two each 201525E and 208473
208472	11455	Needle Bar Frame Pitman Ball Bearing with two 200069c .....
200069c	11455	Needle Bar Frame Pitman Ball Bearing Cap Screw .....
201525E	10435	Needle Bar Frame Pitman Ball Bearing Check Nut .....
200992c	11455	Needle Bar Frame Pitman Ball Screw .....
200879	---	Needle Bar Frame Pitman Ball Screw 200992c with 201524E ....
201524E	10673	Needle Bar Frame Pitman Ball Screw Nut .....
208473	---	Needle Bar Frame Pitman Ball Bearing complete, Nos. 200879 and 208472 .....
204843	10499	Needle Bar Frame Position Stud (lower) .....
204844	10499	Needle Bar Frame Position Stud (upper) .....
200383c	12311	Needle Bar Frame Position Stud Set Screw (2) .....
204250	11455	Needle Bar Thread Guide .....
200175D	11455	" " " " Screw ..
200125E	11455	" Set Screw .....
203779	11455	Presser Bar Bushing .....
200399c	10499	" " " Set Screw .....
204252	10670	" " Lifter .....
200550c	12311	" " " Hinge Screw ..
208609	10670	" " Lifting Bracket .....
204846	10499	" " " " 208609 with 200387c .....
204254	12307	Presser Bar Lifting Bracket Posi- tion Guide .....
200362c	12311	Presser Bar Lifting Bracket Posi- tion Guide Set Screw .....

No.	Plate	Name
200387c	11455	Presser Bar Lifting Bracket Set Screw .....
204255	10670	Presser Bar Spring .....
200494b	11455	" " Thumb Screw (pres- sure regulating) .....
201910	12225	Roller Presser, $\frac{11}{16}$ in. diam., $\frac{1}{4}$ in. face (coarse), with 200551f and 201534h .....
204328		Roller Presser Arm .....
204570	12225	" " " 204328 with 201910 .....
202560	12225	Roller Presser Arm Bracket (swing) .....
204575		Roller Presser Arm Bracket 202560 with 200096d and 204570 .....
200675c	12225	Roller Presser Arm Bracket Posi- tion Screw Stud .....
202558	12225	Roller Presser Arm Bracket Spring
204847	11455	" " " " " " Stop and Needle Guard .....
200141f	12225	Roller Presser Arm Bracket Spring Stop and Needle Guard Screw ..
200096d	12225	Roller Presser Arm Screw .....
204495	12225	" " Bar .....
200551f	12225	" " Hinge Screw .....
201534h	12225	" " " " Nut .....
204849	----	Roller Presser and Bar complete, Nos. 200675c, 202558, 204495, 204575, 204847 and two 200141f
202068	12153	Spool Holder Base .....
200575h	12311	" " " Screw .....
204296	12153	" " Wire .....
200079h	12311	" " " Hinge Screw ..
204297	12153	Spool Holder complete, Nos. 200079h, 202068 and 204296 .....
208479	----	Take-up Cam with 200335c, 200383c and 200430c .....
203172	12307	Take-up Cam Friction Washer ....
200430c	12311	" " Position Screw .....
200383c	12311	" " " " Check Screw .....
200335c	12311	Take-up Cam Set Screw .....
208480	11451	Take-up Cam complete, Nos. 200658c, 201519c and 208479 ....
204262	10673	Take-up Lever .....
206556		" " 204262 with 204263...
204263	10673	" " Bearing with 204264
204264	10673	" " " Position Pin...
200042f	12311	" " " Screw .....

No.	Plate	Name
201816	12307	Take-up Lever Roller .....
204266	10673	Take-up Lever complete, Nos. 200042f, 201816 and 206556 .....
202402	12349	Tension Disc .....
202090	12349	" " Position Pin .....
208440	11456	" Release Lever .....
200685f	11456	" " " Position Screw
200309f	12349	" " " Screw .....
202075	12349	" " Plunger .....
204848	10499	" " Slide with 203695 ....
203695	11455	" " Spring .....
202407	12349	" Spring .....
200632b	12349	" Stud .....
200397h	12349	" " Set Screw .....
201572b	12349	" Thumb Nut .....
204271	12349	" Washer .....
204272	12349	Tension complete, Nos. 200632b, 201572b, 202075, 202407, 204271 and two 202402 .....
204274	12349	Thread Controller Plate .....
200577h	12311	" " " Screw .....
202098	12349	Thread Controller Roller .....
204275	12349	" " " Guard .....
202084	12349	" " " " Washer .....
200300c	12349	Thread Controller Roller Screw ..
204276	12349	" " Spring .....
204333	12349	" " " Guard .....
200581h	12349	" " " " Screw
202087	12349	" " " Stop .....
202088	12349	" " " Stud with 204925 .....
200366h	12349	Thread Controller Spring Stud Set Screw .....
204925	12306	Thread Controller Spring Stud Washer .....
205987	12349	Thread Controller complete, Nos. 200300c, 200581h, 202084, 202098, 204274, 204275 and 204333 .....
204280	12349	Thread Controller and Spring com- plete, Nos. 204276 and 205987 ..
204281	12349	Thread Retainer Guide Wire .....
202091	12349	" " Sleeve .....
202092	12349	" " Spring .....
204058b	12349	" " Stud .....
200368h	12349	" " " Set Screw ....
204059	12349	Thread Retainer complete, Nos. 202091, 202092 and 204058b ....



No.	Plate	Name
207333	11453	Throat Plate, 60 elongated needle hole, for needle sizes 9 to 11 . . . .
202062	11455	Throat Plate Position Pin . . . . .
200577H	12311	" " Screw . . . . .

## MACHINE No. 14w3

DROP FEED. TRIPLE STITCH

For Cloth Work

The same as Machine No 14w2 with the following exceptions:

No.	Plate	Name
207605	11456	Feed Dog, in place of 207611 . . . .
204251	- - -	Presser Bar (hollow) with 200074r in place of 204495 . . . . .
202090	12349	Presser Foot Hinge Pin . . . . .
203013	11456	" " Plate . . . . .
215911	- - -	" " Shank . . . . .
229882	11456	Presser Foot (hinged) complete Nos. 202090, 203013 and 215911 in place of 204849 . . . . .
200074r	11456	Presser Foot Screw . . . . .
204811	11456	Throat Plate, 46 elongated needle hole, for needle sizes 20 and 22 in place of 207333 . . . . .

## ACCESSORIES

FOR MACHINE NO. 14w2

No.	Plate	Name
204178	11454	Bobbin (5) .....
*225482		" Case Screw Driver Blade ..
*225483		" " " " Handle ..
225497	12153	Bobbin Case Screw Driver complete, Nos. 225482 and 225483 ..
225487	11456	Roller Presser Hinge Screw Nut Wrench .....
130x17		Needles, six, size 12 .....
225191		Drip Pan with four wood screws $\frac{1}{2}$ in. No. 5 .....
41400	12153	Machine Rest Pin (wood) .....
36578	12153	Oiler with 36579 .....
36579	12153	" Spout, $3\frac{1}{2}$ in. long, with 120117 ..
120117		" " Washer .....
*225484		Screw Driver Blade .....
*225485		" " Handle .....
225498	12153	Screw Driver complete, (7 $\frac{1}{4}$ in. long) Nos. 225484 and 225485 ..
225554	12153	Wrench (steel) .....

### BOBBIN WINDER

Swing Automatic, Right Hand.

*225451		Bobbin Holder .....
225453	10882	Frame with 202277 and 225438 .....
225454	10882	" Hinge Pin .....
202277		" Oil Packing (wick) .....
225438	10882	" " Well Cap .....
225455	10882	" Spring .....
225456	10882	" " Plunger .....
202473	10883	Pulley with 200380c .....
225457	10882	" Friction Stud .....
200380c	12319	" Set Screw .....
*225443		Spindle .....
225452	10882	" 225443 with 225451 .....
225444	10882	Stop Latch .....
200056E	10882	" " Screw .....
225458	10882	" " Thumb Lever .....
225459	10882	" " " " Hinge Stud ..
225460	10882	" " " " Joint Stud ..
202478	10882	" " Trip Lever .....
200299H	10882	" " " " Hinge Screw ..

No.	Plate	Name
225461	10881	Tension Bracket with 201499n ..
200082c	10881	" " Screw .....
202104	10881	" " " Washer .....
2102	10881	" Disc .....
202407	10881	" Spring .....
201499n	10881	" Stud .....
201572n	10881	" " Thumb Nut .....
225462	10881	Bobbin Winder Tension Bracket complete, Nos. 201572n, 202407, 225461 and two 2102 .....
225463	10883	Bobbin Winder and Tension Bracket Base .....
225436	10883	Universal Bobbin Winder complete, Nos. 200056E, 200082c, 200299n, 202104, 202473, 202478, 225444, 225452 to 225460, 225462, 225463 and two round head wood screws $\frac{1}{2}$ in., No. 13 .....

### KNEE LIFTER

227781	10936	Knee Lifter Rock Lever with 200522c and 200529c .....
227782		Knee Lifter Rock Lever 227781 with two each 202451 and 202452 ..
227787		Knee Lifter Rock Lever 227782 with 202203 and 227784 .....
202453	10936	Knee Lifter Rock Lever Knee Plate with 200526c .....
202203		Knee Lifter Rock Lever Knee Plate 202453 with 202454 .....
202454	10936	Knee Lifter Rock Lever Knee Plate Arm (long) .....
200522c	12319	Knee Lifter Rock Lever Knee Plate Arm Set Screw .....
200526c	11456	Knee Lifter Rock Lever Knee Plate Set Screw .....
202451	10936	Knee Lifter Rock Lever Lug with two wood screws, $\frac{3}{4}$ in. No. 13n ..
202452	12319	Knee Lifter Rock Lever Lug Hinge Pin .....
227784	10936	Knee Lifter Rock Lever Rod $3\frac{1}{2}$ in. long, with 227785 .....
*227785		Knee Lifter Rock Lever Rod Cap or Oil Guard .....
200529c	12319	Knee Lifter Rock Lever Rod Set Screw .....

(Other Knee Lifter Parts are listed with parts of machine head)

## FOR MACHINE No. 14w3

Same as for No. 14w2 with the following exceptions:

No.	Plate	Name
130x17	- ---	Needles, six, size 16, in place of 130x17, size 12 .....
225487	--- --	(Roller Presser Hinge Screw Nut Wrench, not used) .....

**FEED DOGS**

## FOR MACHINE No. 14w2

No.	Plate	Name
207614	11453	Feed Dog, for 207333, 207355 and 207458 .....
207615	11453	Feed Dog, for fine work, for 207333, 207355 and 207458 .....

**THROAT PLATES**

## FOR MACHINE No. 14w2

207333	11453	Throat Plate, 60 elongated needle hole, for needle sizes 9 to 11, for 207614 and 207615 .....
207355	11453	Throat Plate, 50 elongated needle hole, for needle sizes 16 and 18, for 207614 and 207615 .....
207458	11453	Throat Plate, 46 elongated needle hole, for needle sizes 20 and 22, for 207614 and 207615 .....

From the library of: Diamond Needle Corp

**OBSOLETE PARTS**

No.	Plate	Name
202470	12320	Bobbin Winder Base .....
202471	12320	“ “ Frame .....
202472	12319	“ “ “ Spring .....
202474	12320	“ “ Spindle .....
227522	12319	“ “ Stop Latch .....
202477	12319	“ “ “ Thumb Lever .....
227523	12320	Bobbin Winder complete, Nos. 2000561, 2001610, 2002210, 2015370, 202470 to 202474, 202477, 202478, 227522, three 2002990 and two round head wood screws 1 in., No. 13 .....
202480	12320	Bobbin Winder Spool Holder Base with 2003550 and 202481 .....
202481	12320	Bobbin Winder Spool Holder Base Spool Pin .....
202482	12319	Bobbin Winder Spool Holder Ten- sion Disc (lower or upper) .....
202483	12319	Bobbin Winder Spool Holder Ten- sion Disc Spring (brass) .....
202484	12319	Bobbin Winder Spool Holder Ten- sion Disc Thread Guide .....
202485	12320	Bobbin Winder Spool Holder com- plete, Nos. 2000110, 202480, 202481, 202483, two 202482 and one wood screw 1 in., No. 13 .....

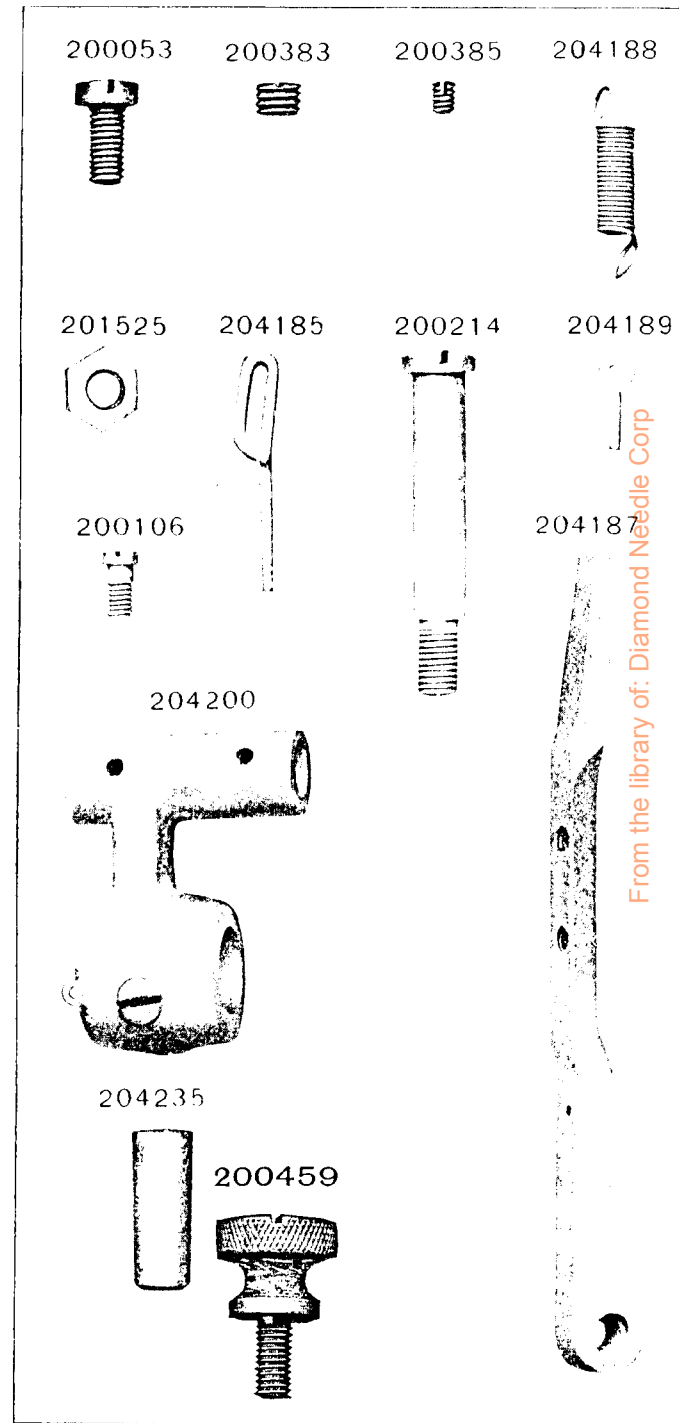


PLATE 10437—FULL SIZE

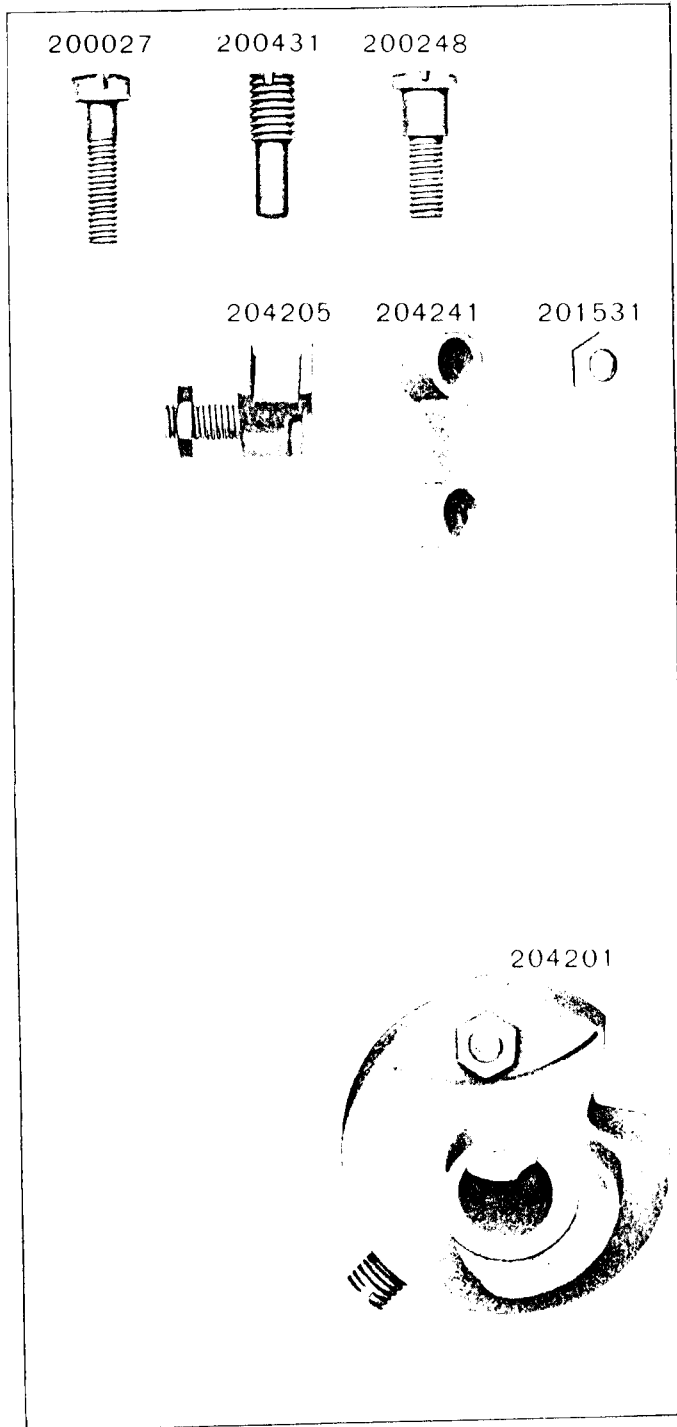
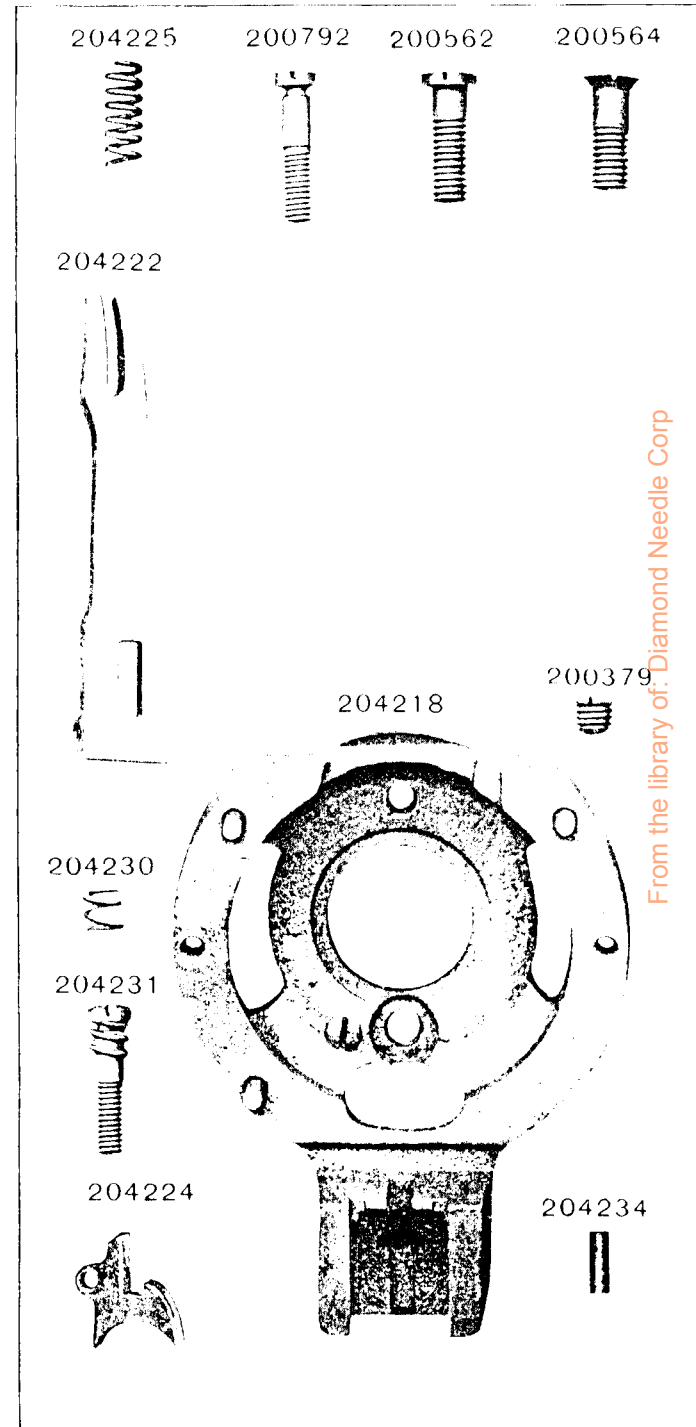


PLATE 10446—FULL SIZE



From the library of: Diamond Needle Corp

PLATE 10448—FULL SIZE

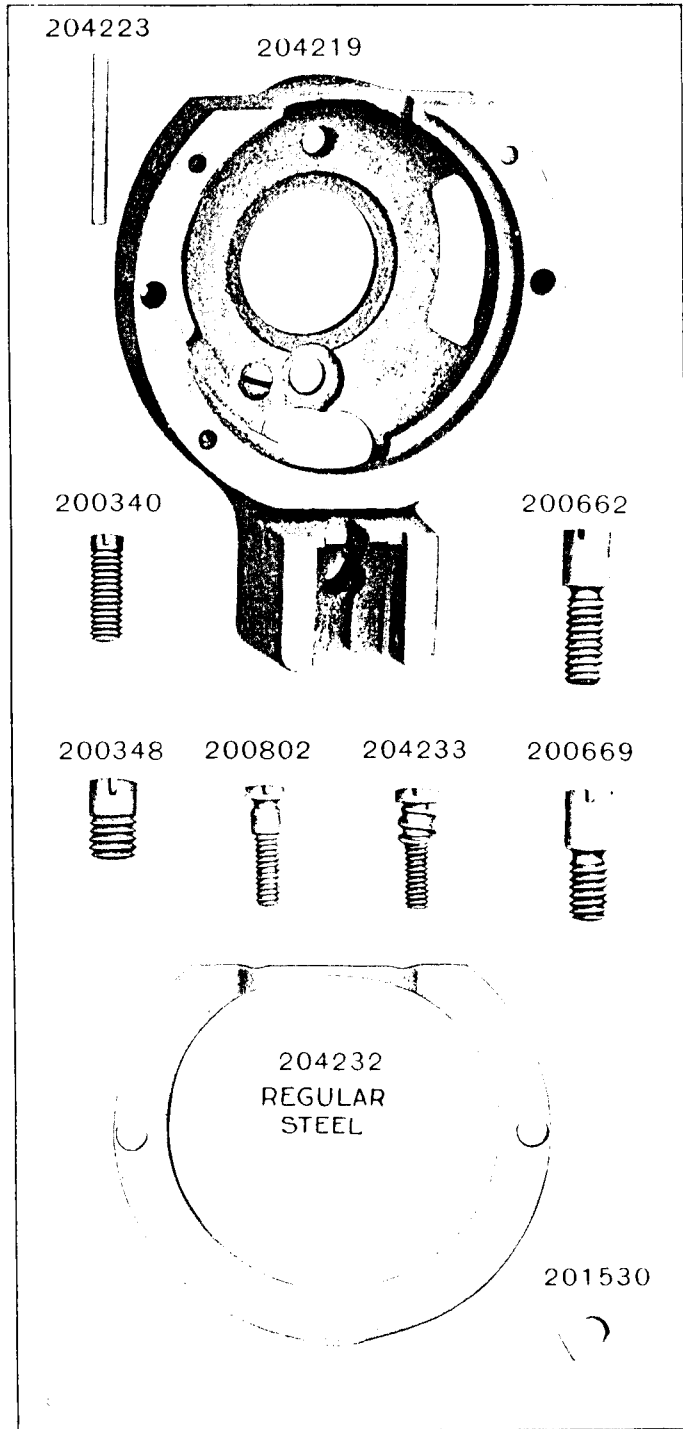
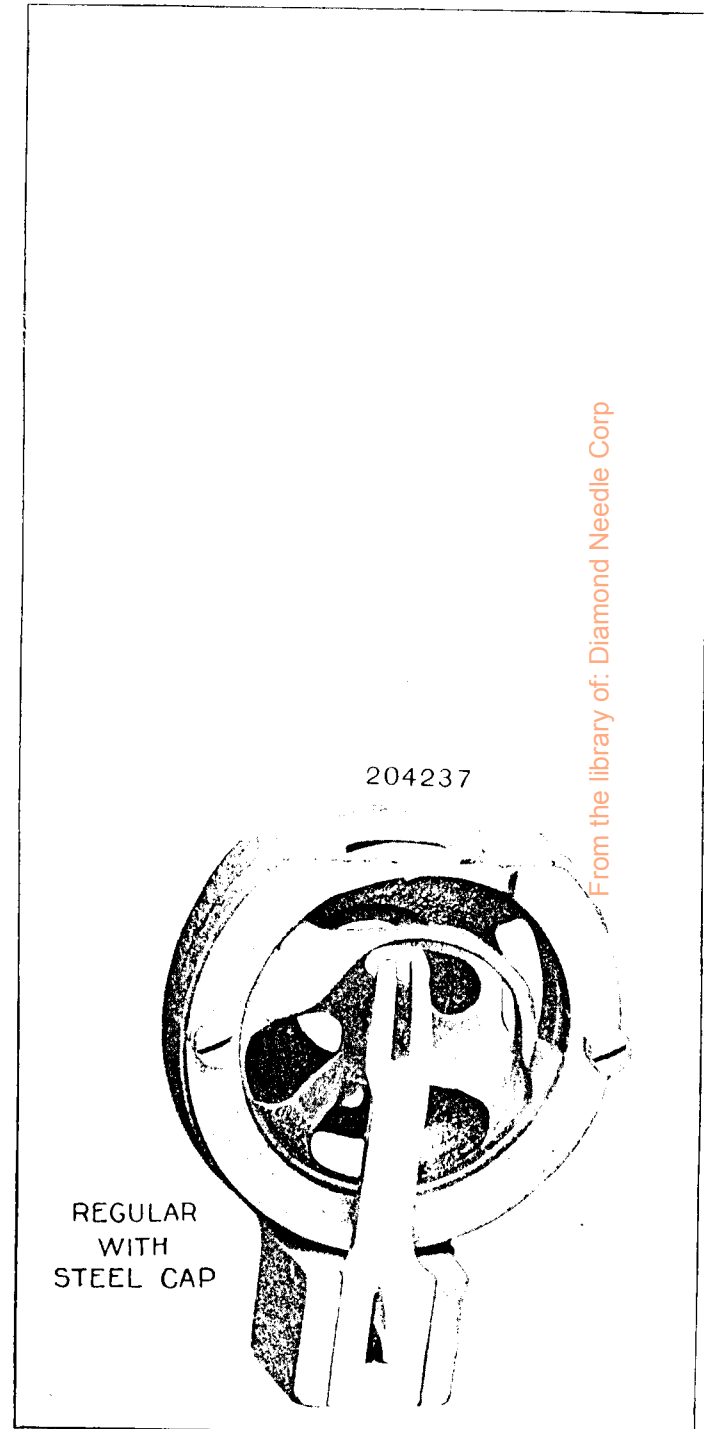


PLATE 10450—FULL SIZE



From the library of: Diamond Needle Corp

PLATE 10498—ONE-HALF SIZE

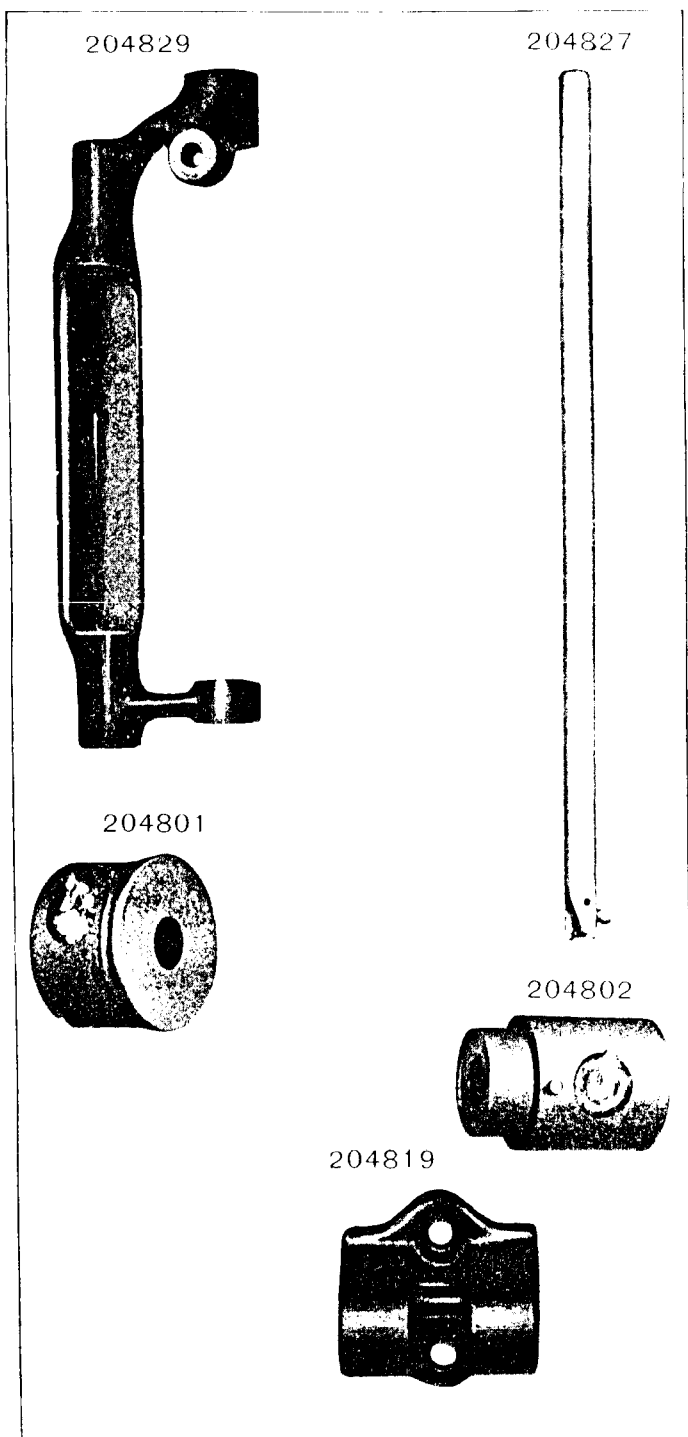


PLATE 10499—FULL SIZE

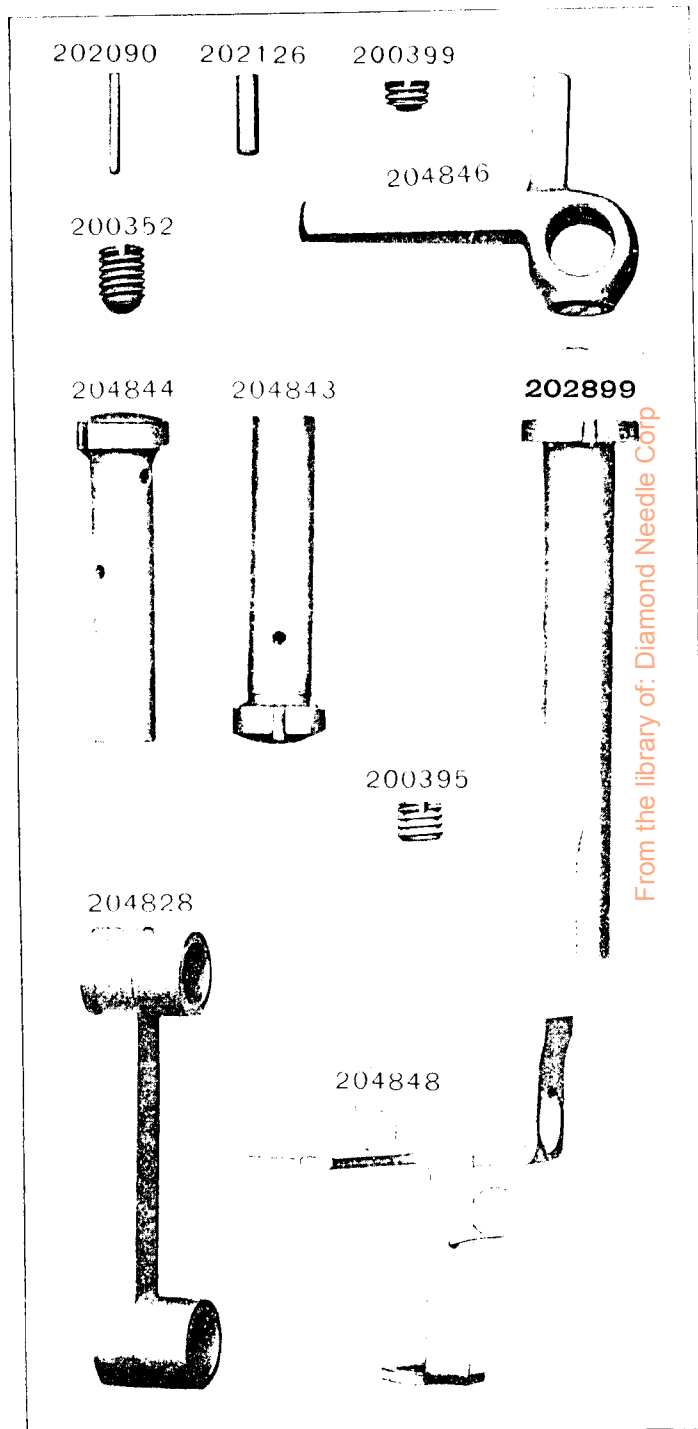


PLATE 10501-FULL SIZE

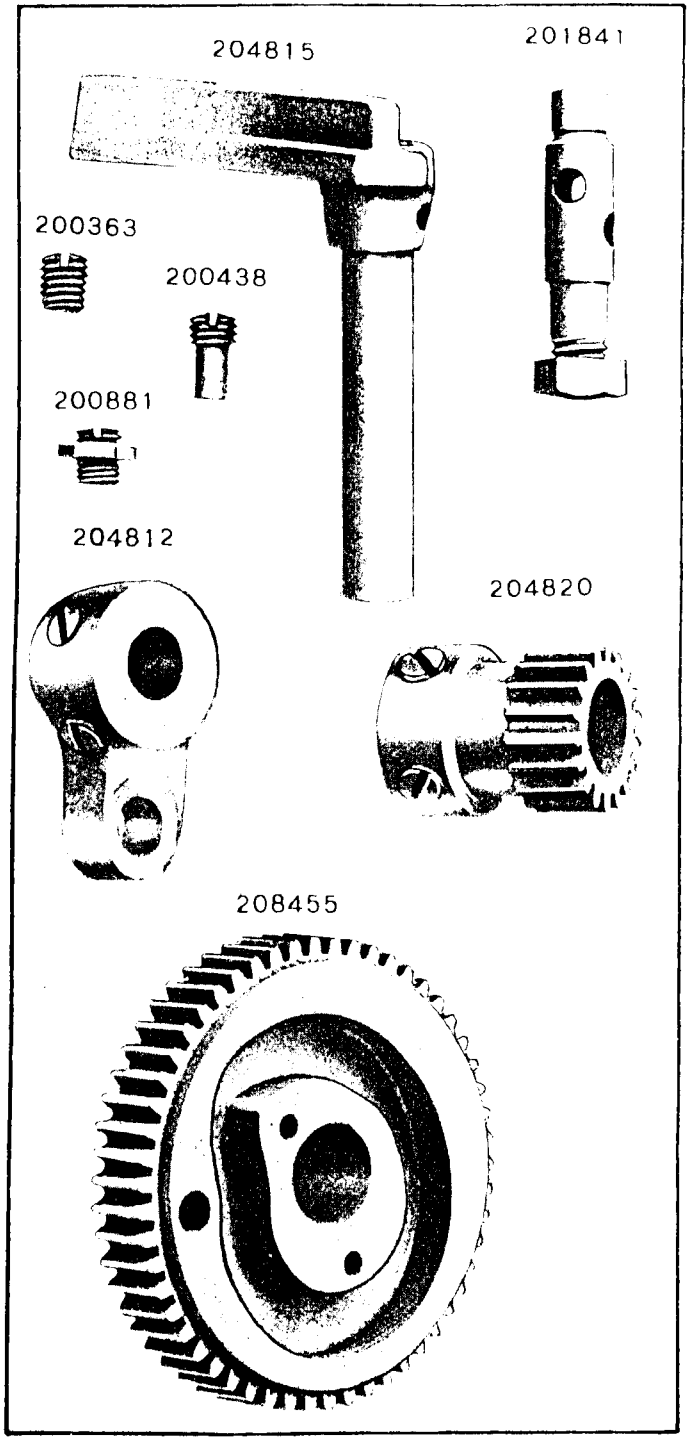


PLATE 10502-FULL SIZE

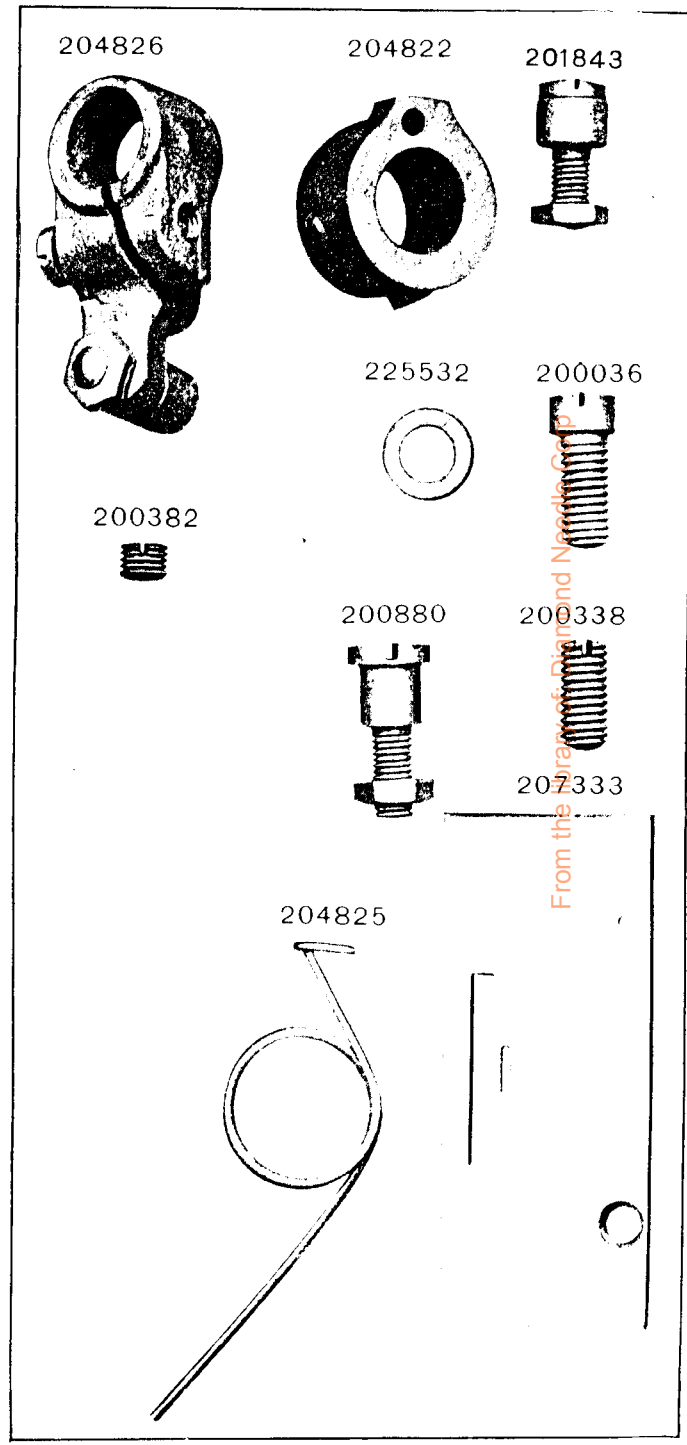




PLATE 10670--FULL SIZE

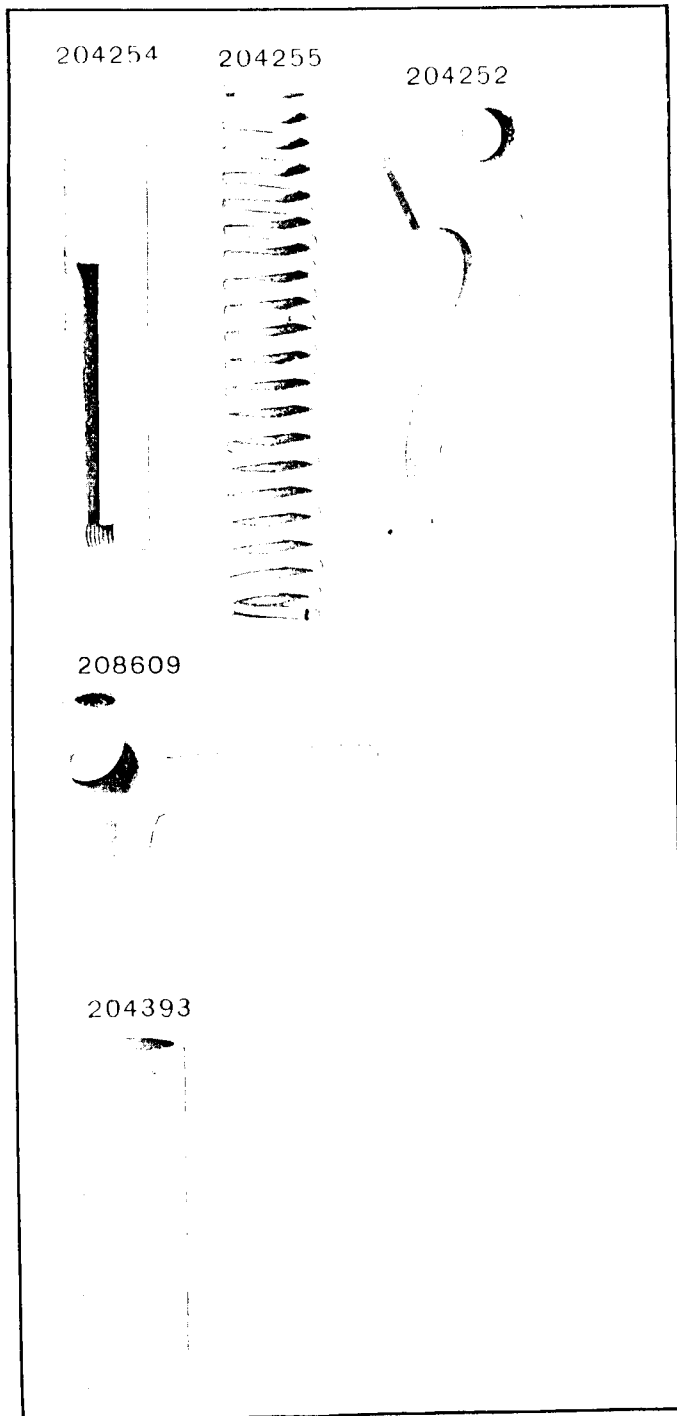


PLATE 10673--FULL SIZE

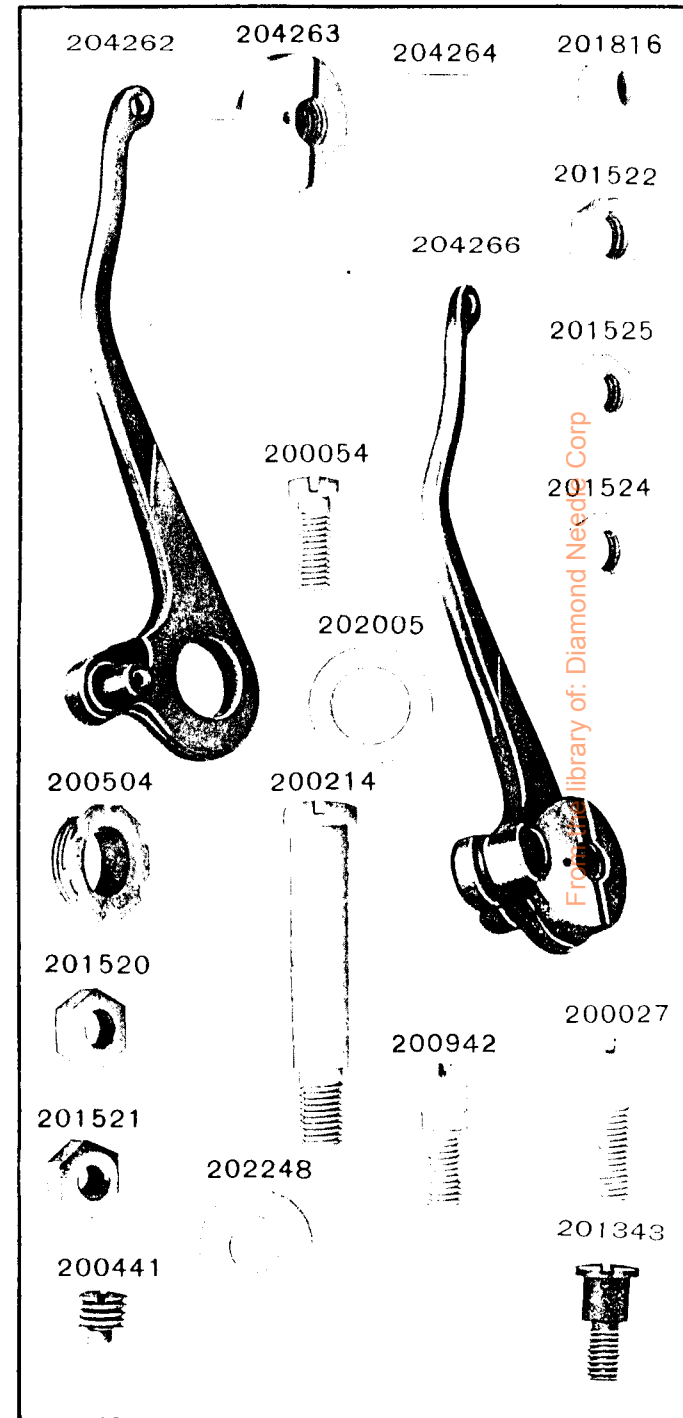
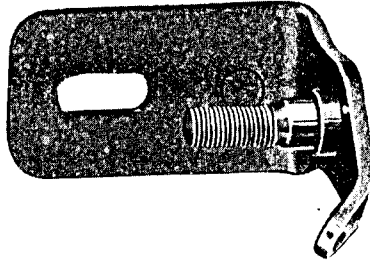
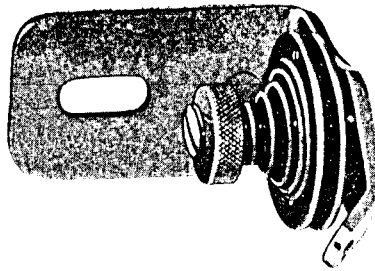


PLATE 10881—FULL SIZE

225461



225462



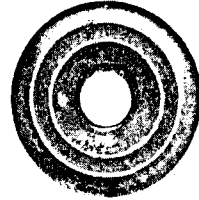
200082



202104



2102



202407



201499

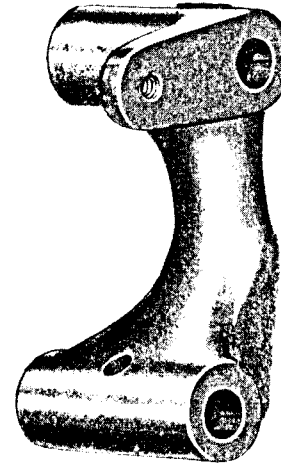


201572



PLATE 10882—FULL SIZE

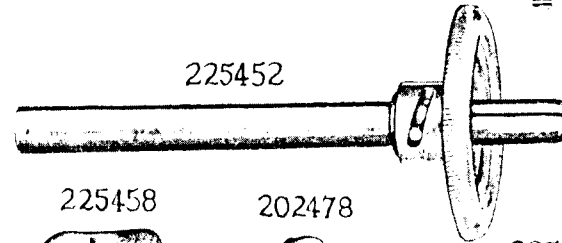
225453



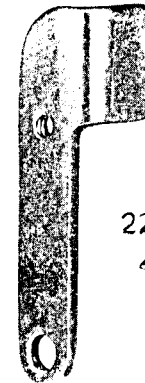
225454



225452



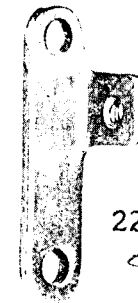
225458



225459



202478



225460



225455



225456



225438



225457



201052



200056



200299

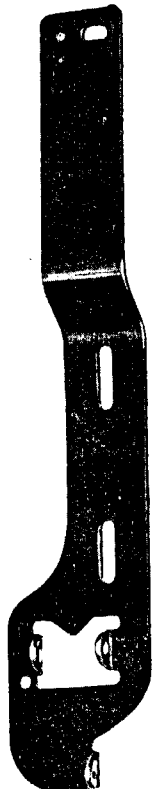


225444

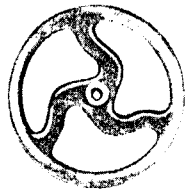
From the library of: Diamond Needle Co

PLATE 10883—ONE-FOURTH SIZE

225463



202473



225436

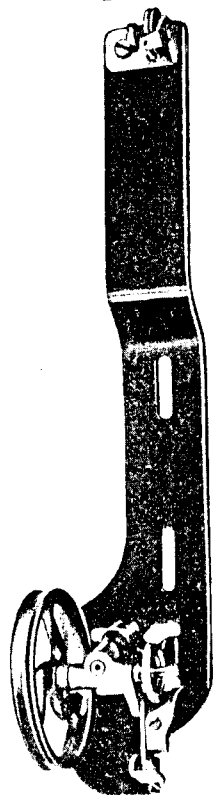
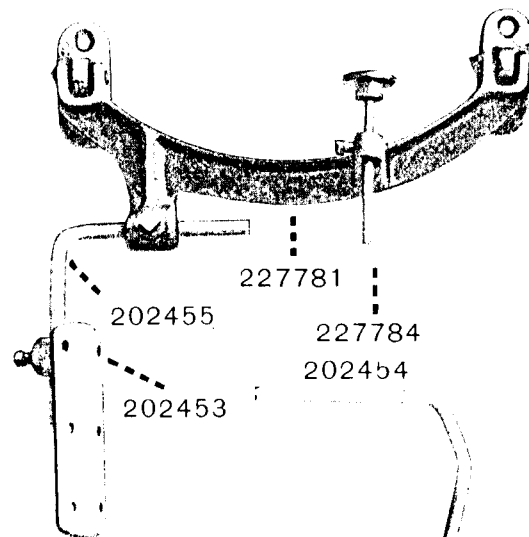


PLATE 10936 — ONE — FOURTH SIZE

202451



227781

202455

227784

202454

202453

202445



From the library of: Diamond Needle Corp

PLATE 11450 -ONE-FOURTH SIZE

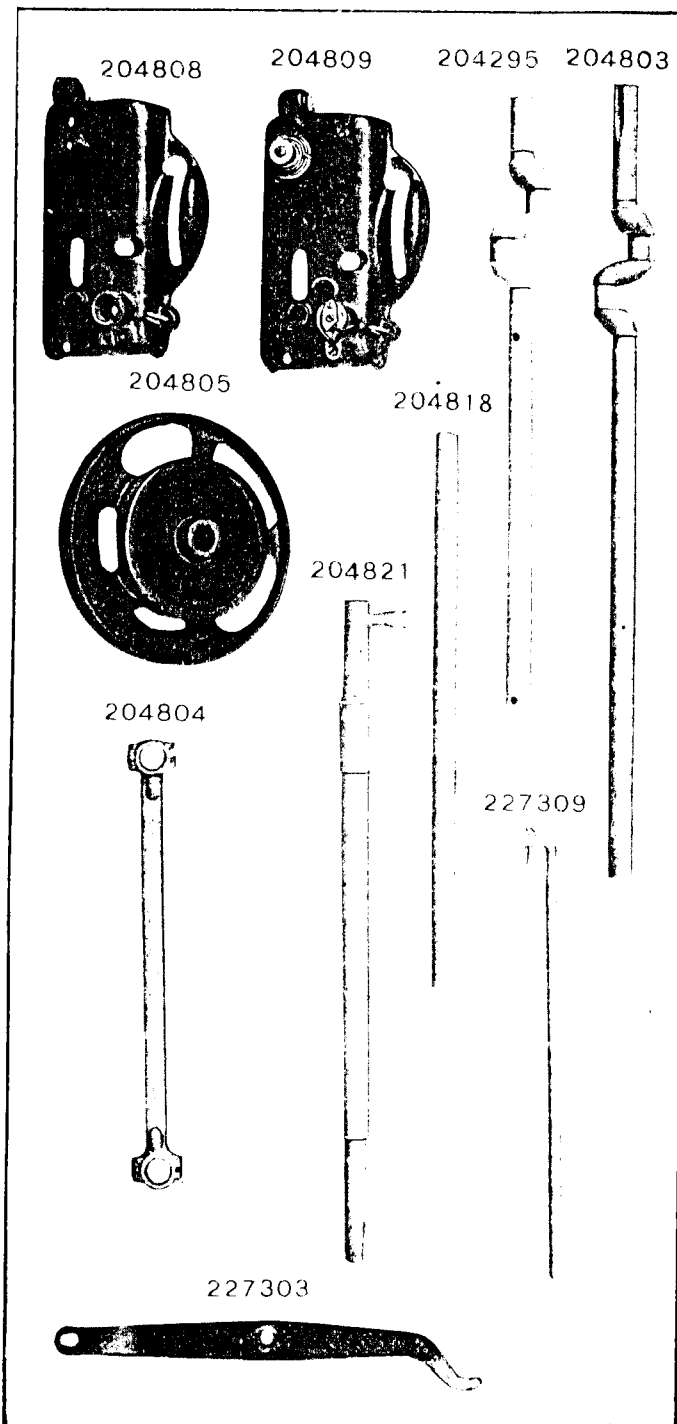


PLATE 11451 -ONE-HALF SIZE

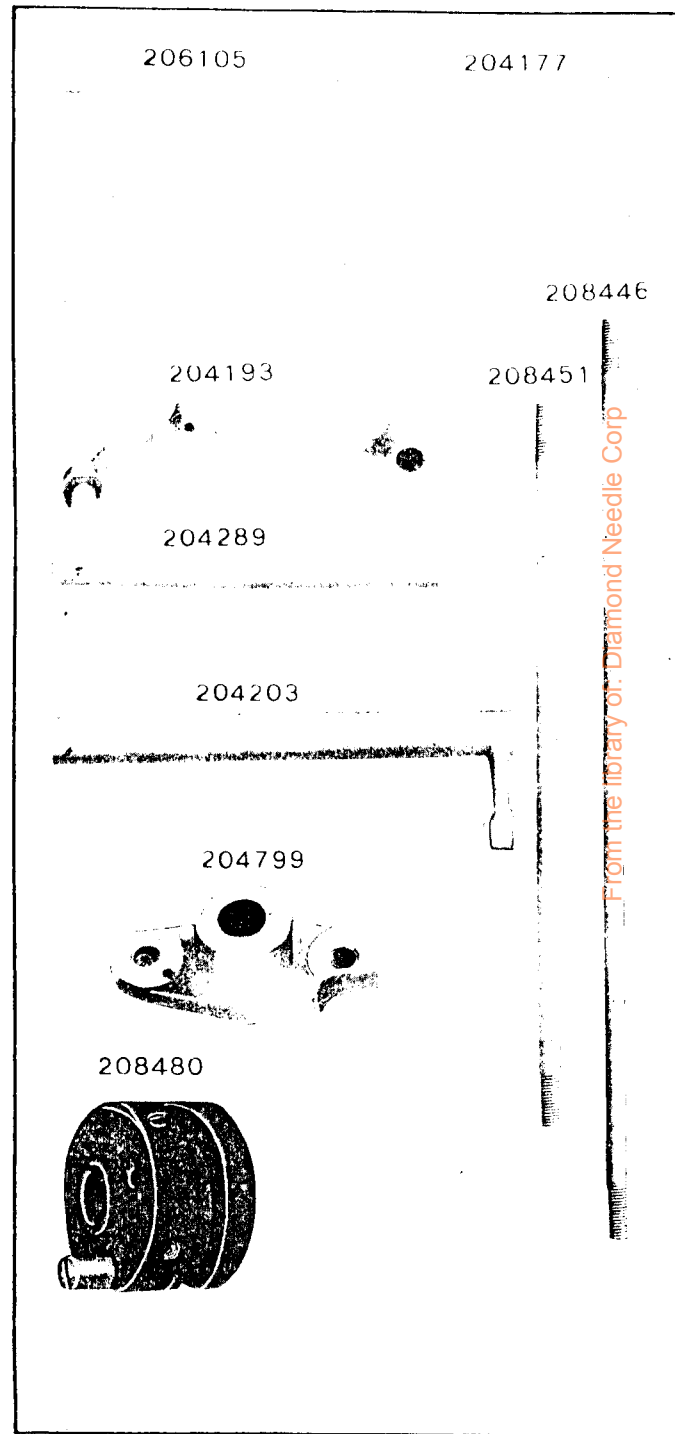


PLATE 11452 -FULL SIZE

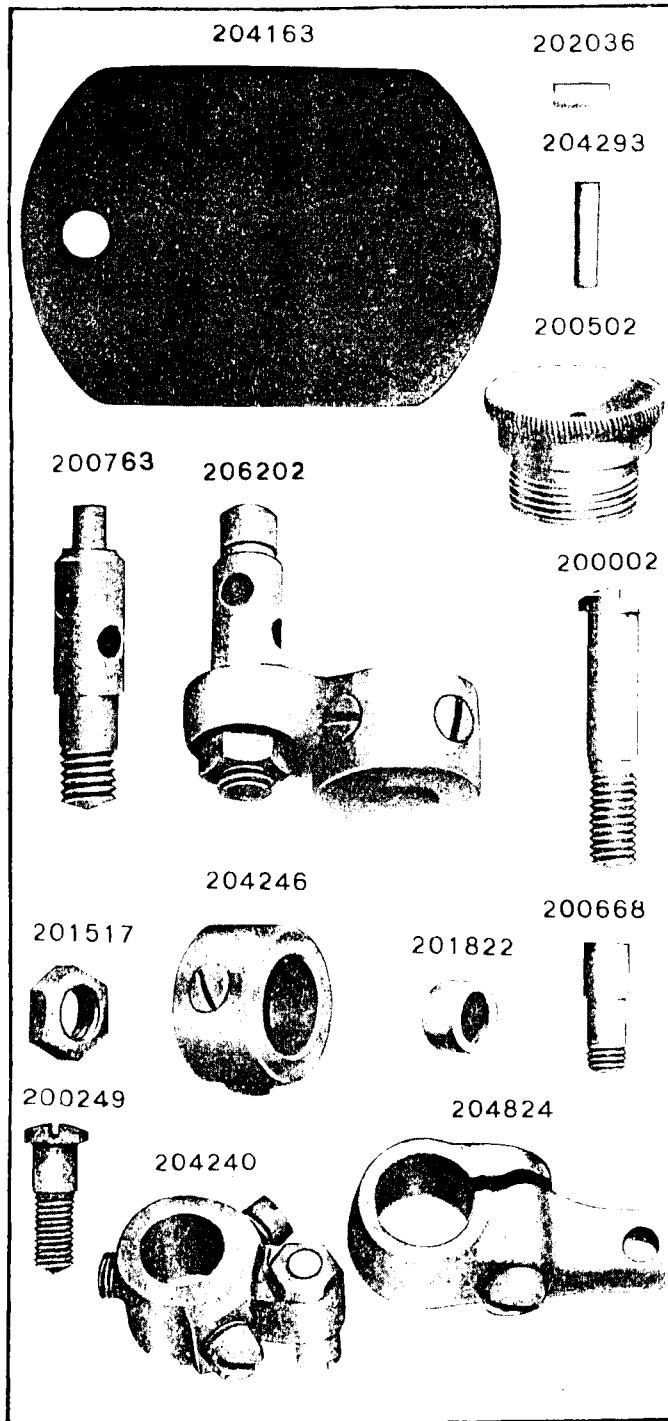
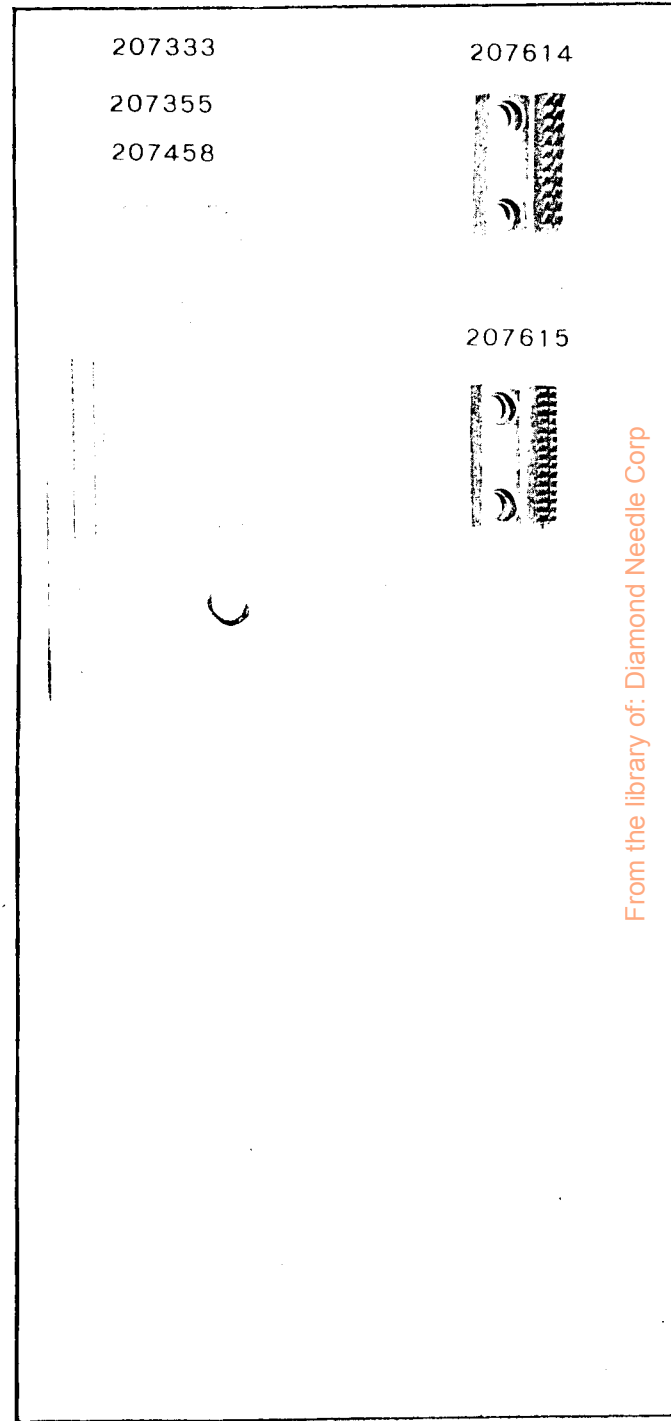


PLATE 11453 -FULL SIZE



From the library of: Diamond Needle Corp

PLATE 11454 -FULL SIZE

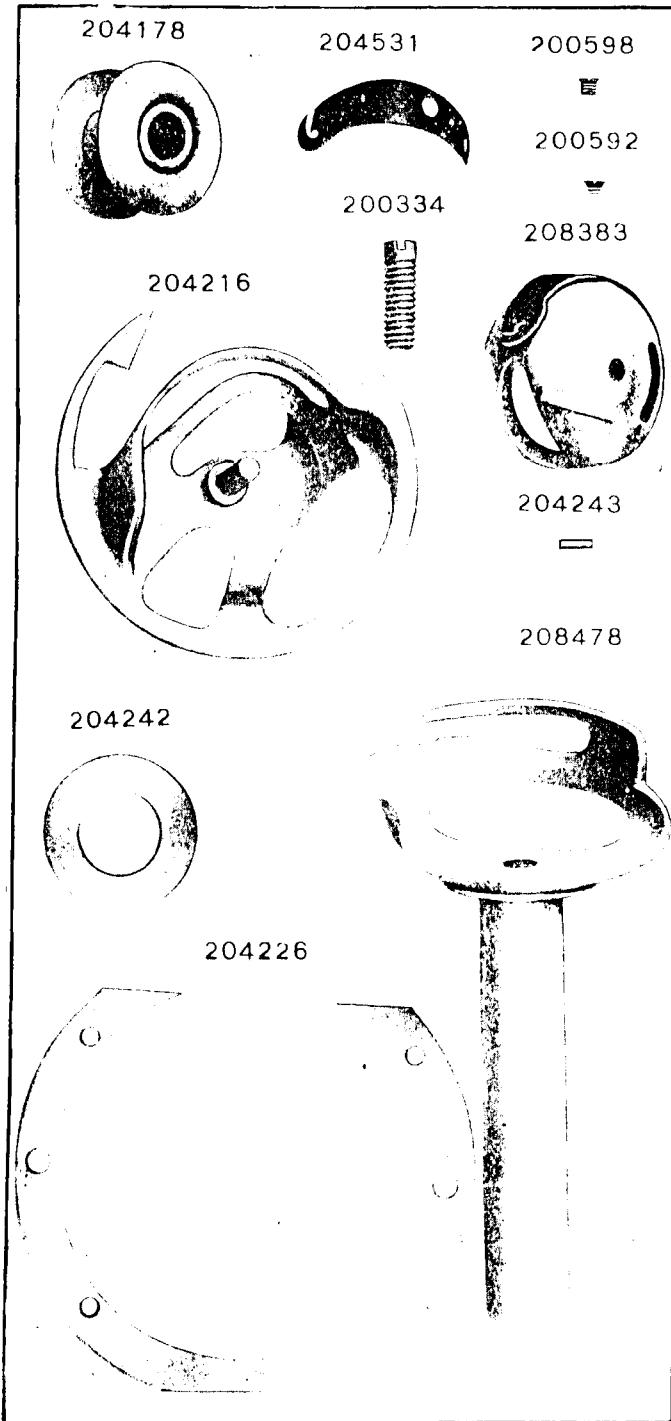


PLATE 11455 -FULL SIZE

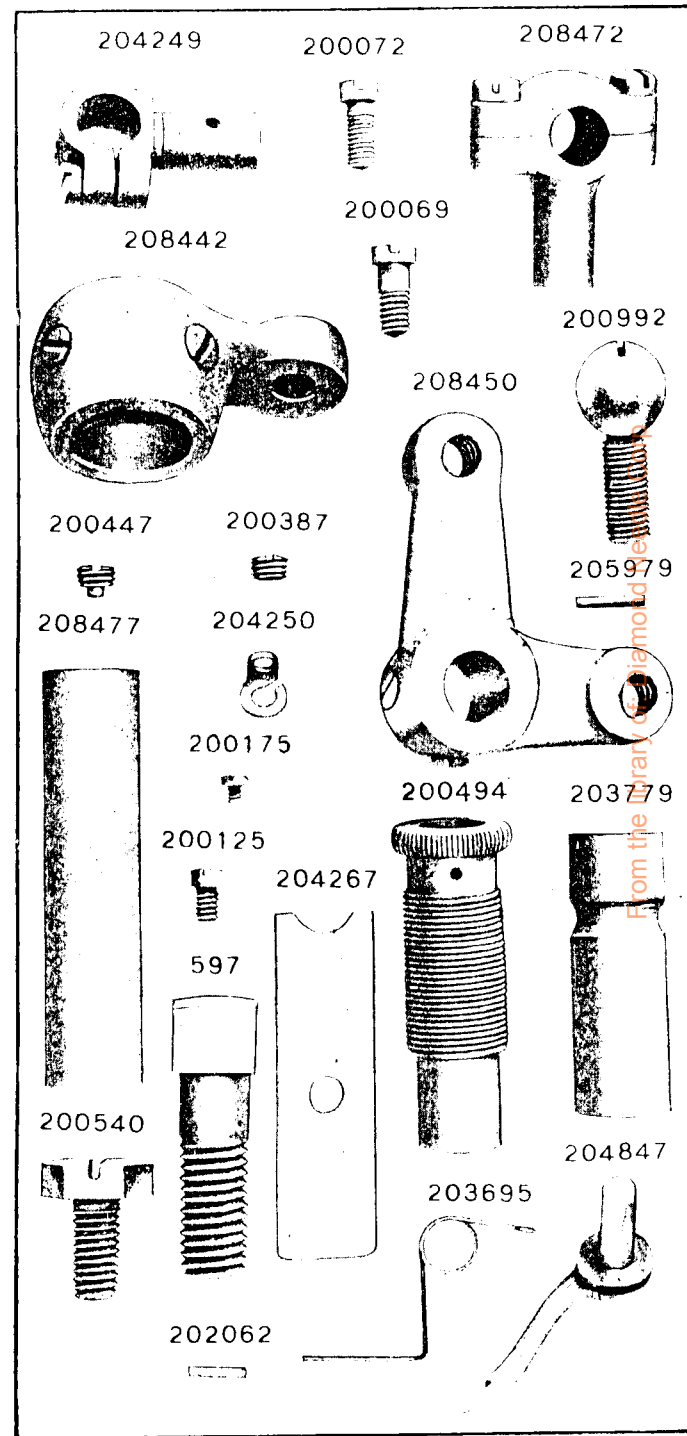
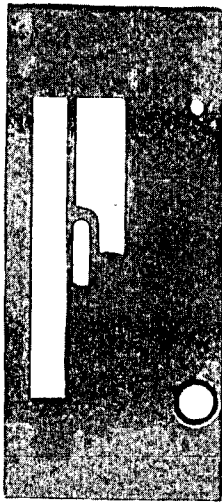


PLATE 11456—FULL SIZE

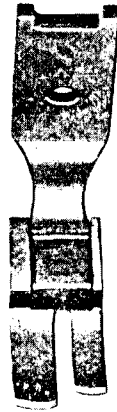
204811



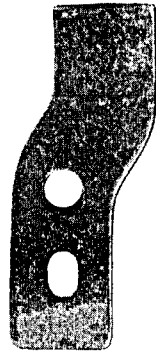
207605



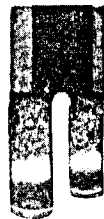
229882



208440



203013



201052



225487



200685



200526



200441



200917



200065



200074



201616



202302



PLATE 12153—ONE-HALF SIZE

41400



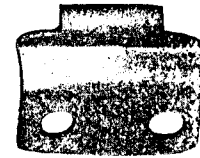
225497



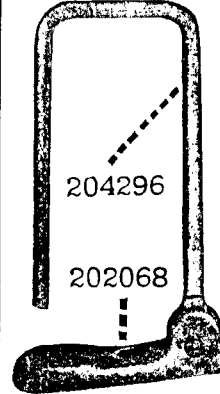
225498



202258



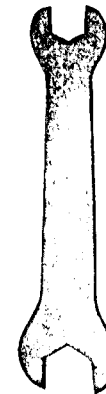
204297



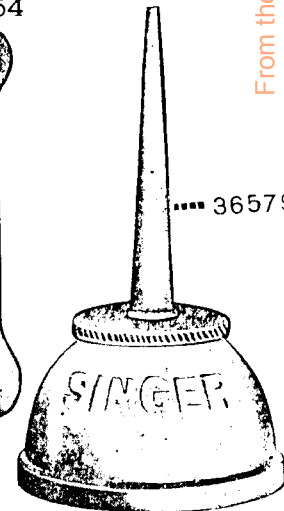
204296

202068

225554



36578



36579

From the library of: Diamond Needle Corp



PLATE 1225—FULL SIZE

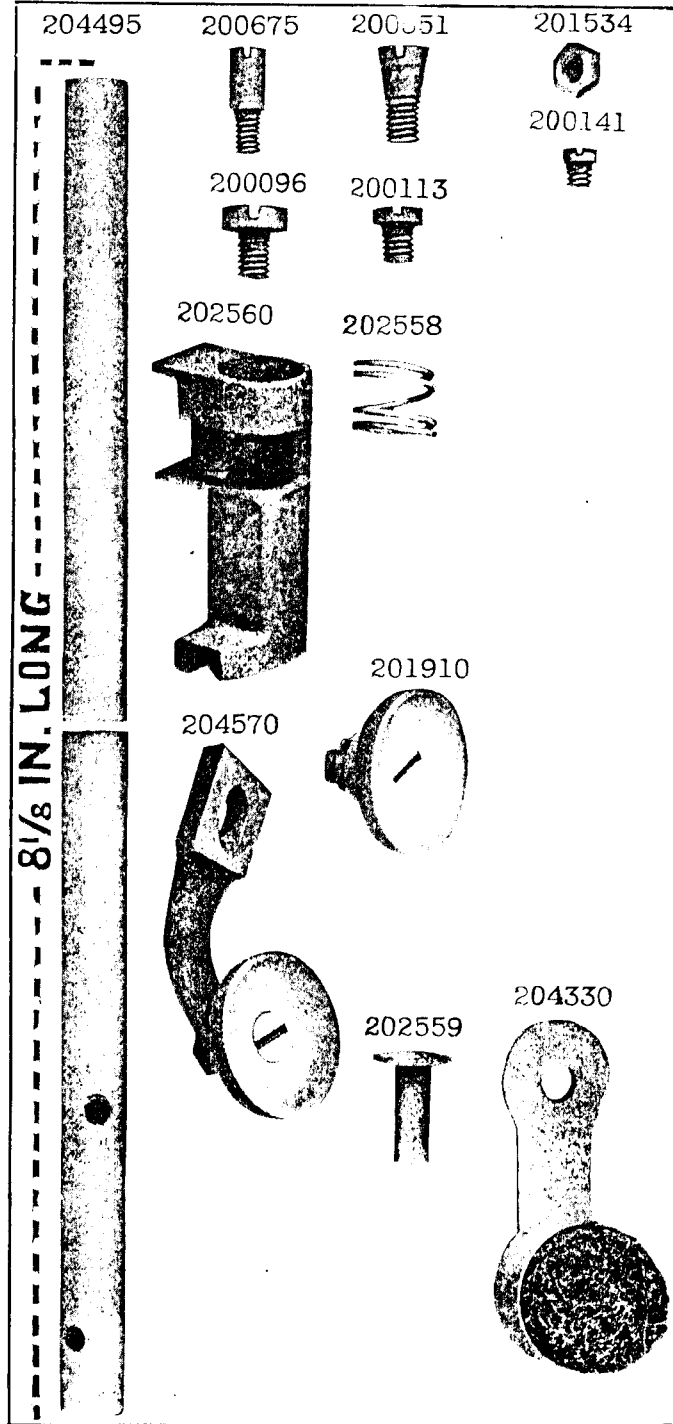
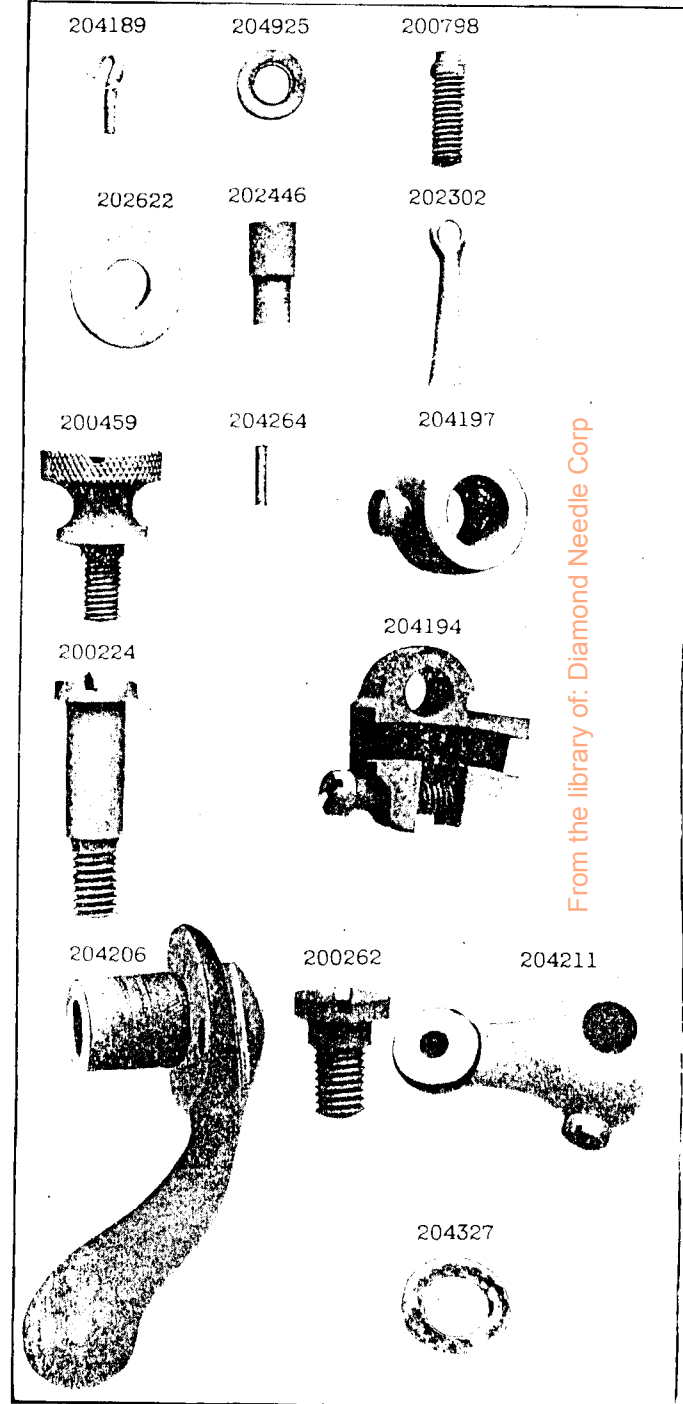


PLATE 12306—FULL SIZE



From the library of: Diamond Needle Corp.



PLATE 12307--FULL SIZE

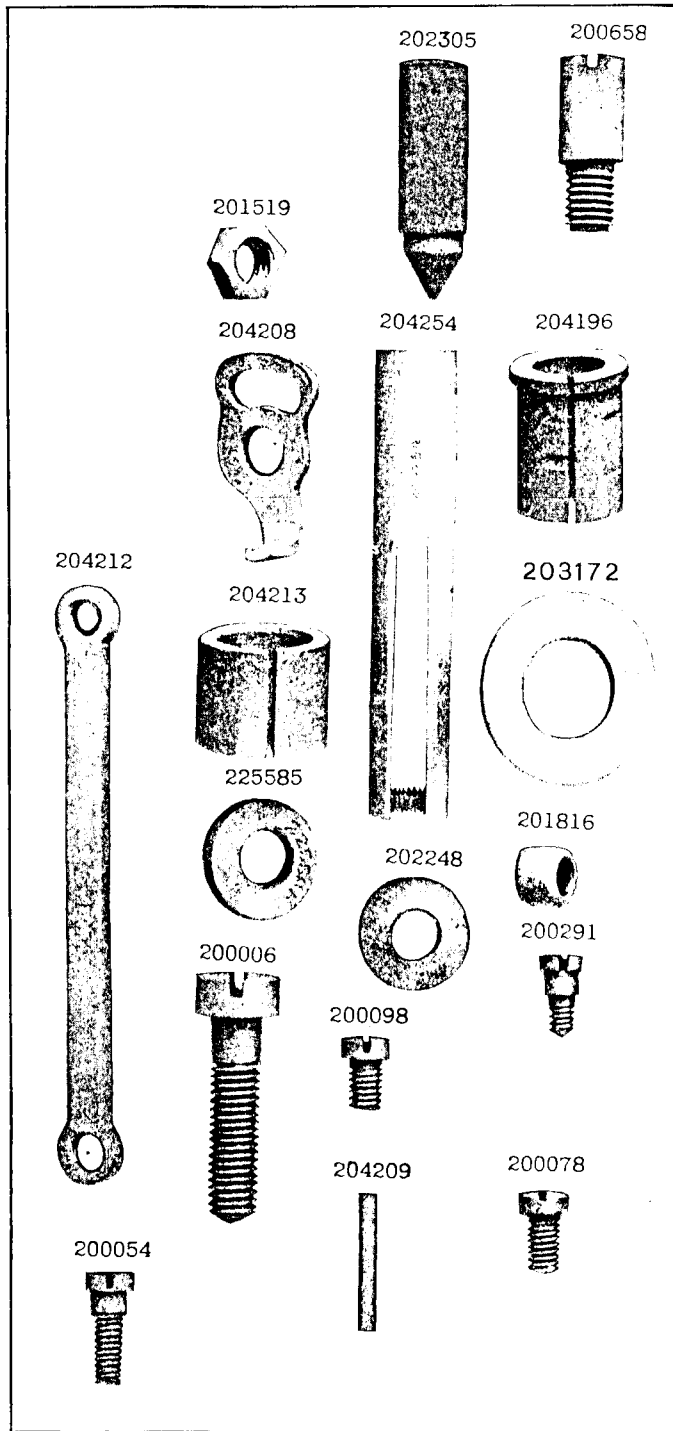


PLATE 12311--FULL SIZE

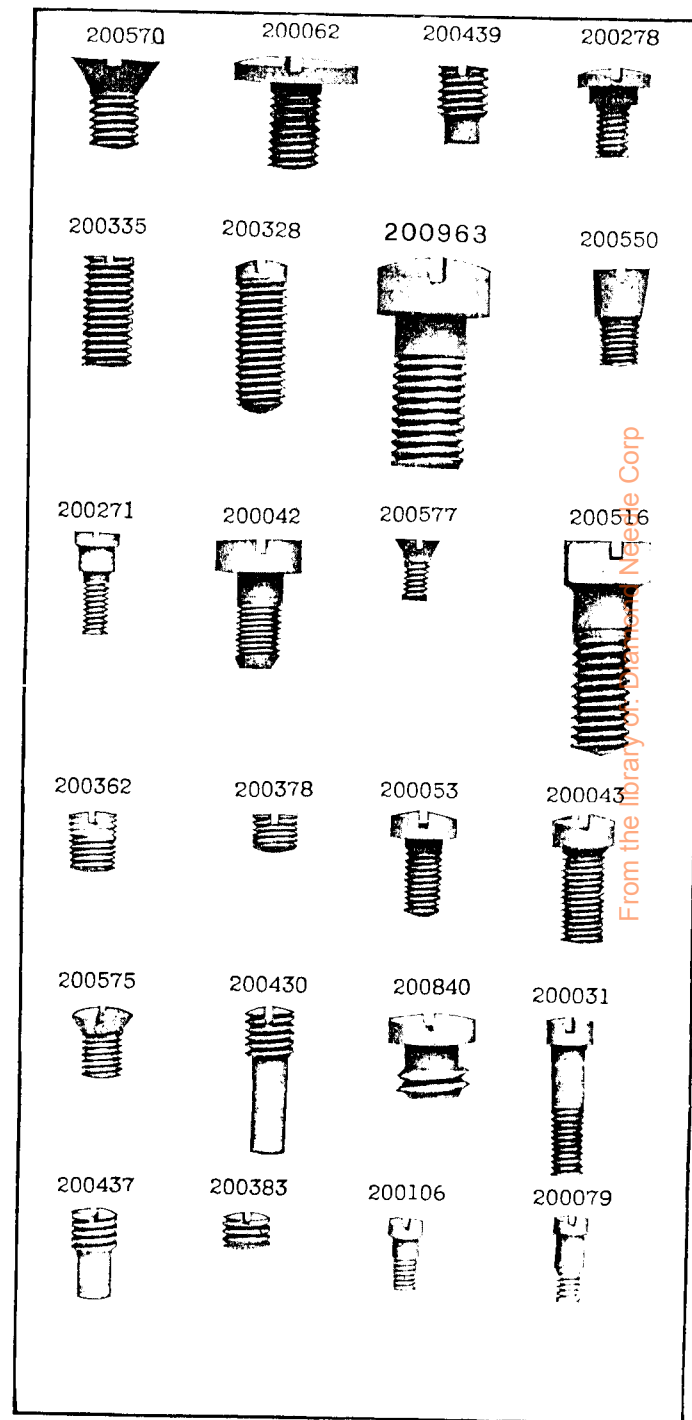


PLATE 12319 - FULL SIZE

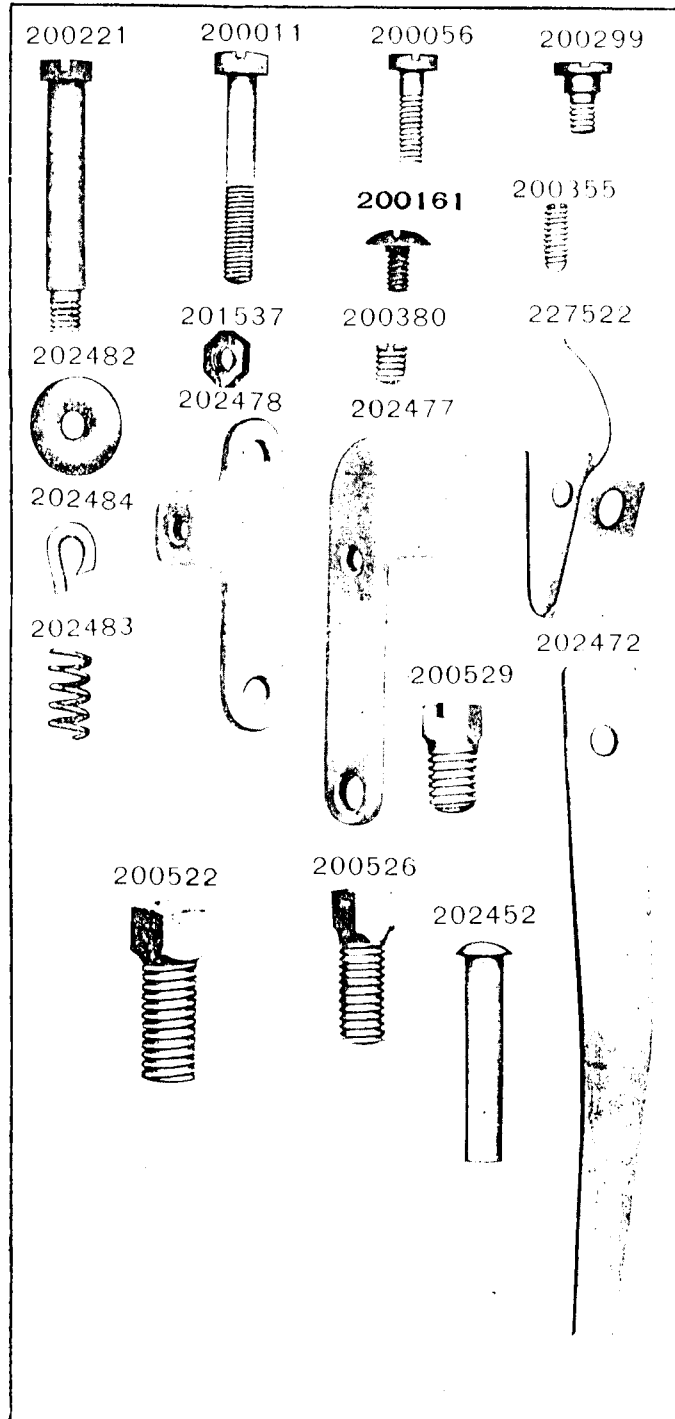


PLATE 12320 - ONE-HALF SIZE

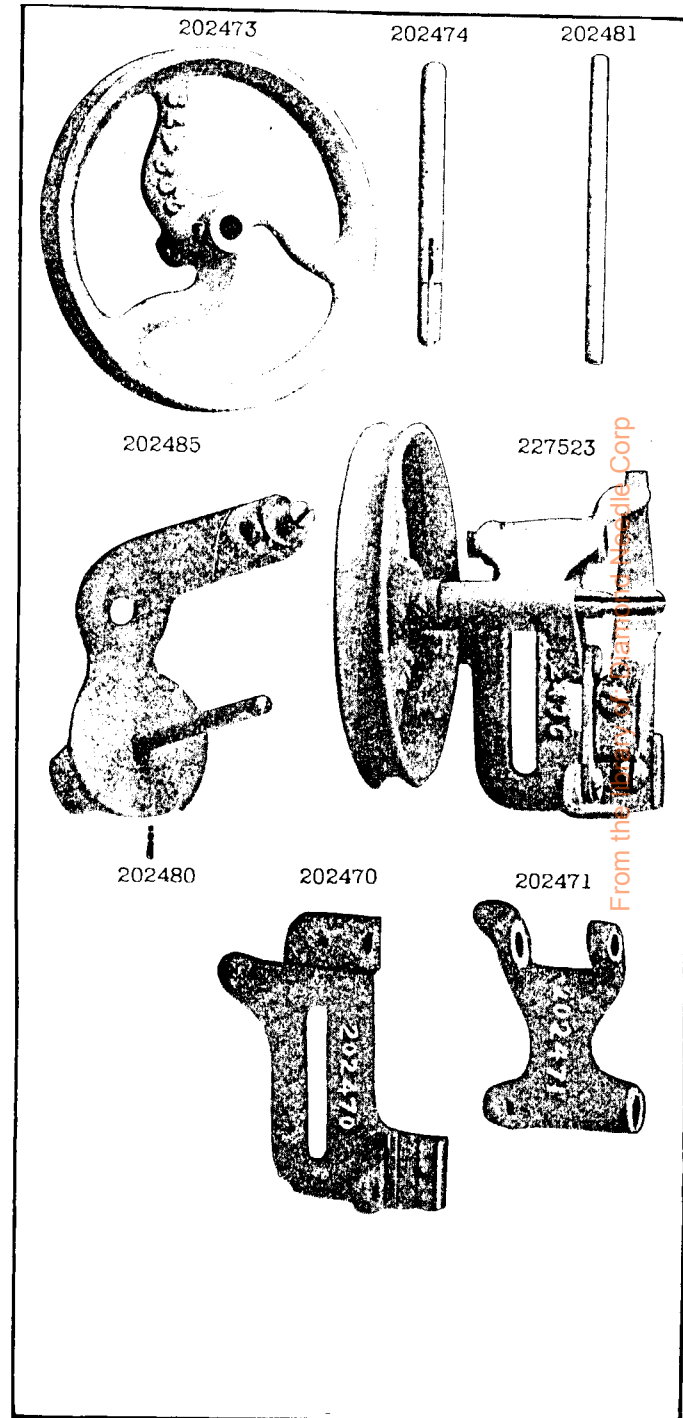


PLATE 12349—FULL SIZE

